

Flex Felix

S modular corner sofa



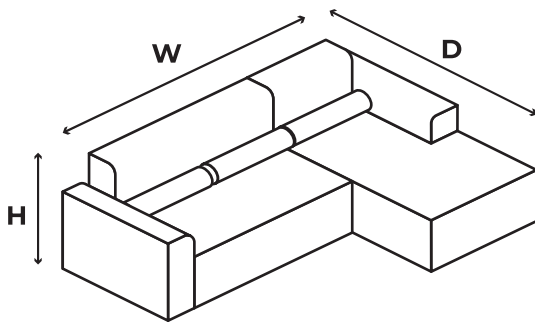
General information

setup:	modular system
sleeping function:	n/a
storage box:	n/a
decorative cushions:	yes
headrest:	n/a
accessories:	n/a
assembly:	self-assembly



Technical information

dimension:	W 264 / D 154 / H 70
sleeping space:	n/a
feet height:	3,5
seat height:	42



Dimensions in cm with +/- 3% tolerance

Components

frame:	coniferous wood, particleboard, fiberboard
seat:	zig zag springs, foam 28 kg/m ³ , wadding 200 g/m ²
backrest:	foam 28 kg/m ³
feet:	plastic, black

Fabric

structure:	chenille, easy clean
abrasion resistance:	100 000 Martindale cycles
weight:	440 g/m ² ± 5%
composition:	100% polyester
standard colors:	

- SO-02 beige
- SO-06 dark beige
- SO-37 olive
- SO-85 grey
- SO-97 dark grey
- SO-72 light blue

